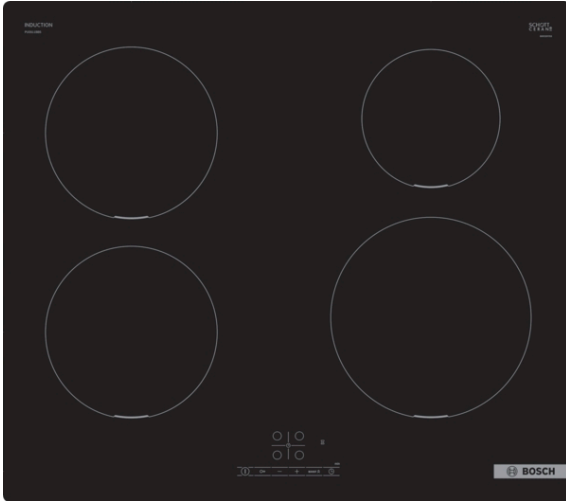


**Series 4, induction hob, 60 cm, Black
PUE611BB5E**



The induction hob: cook fast, clean and safely while using very little energy.

- **TouchSelect:** Selection of the desired cooking zone and easy setting of the desired power level.
- **PowerBoost:** Up to 50% more power for faster heating.
- **ReStart:** if something boils over, the cooktop automatically turns itself off and saves the last selected setting.

Technical Data

Product name/family : Cooking zone ceramic
 Construction type : Built-in
 Energy input : Electric
 Total number of positions that can be used at the same time : 4
 Required niche size for installation (HxWxD) : 51 x 560-560 x 490-500 mm
 Width of the appliance : 592 mm
 Dimensions : 51 x 592 x 522 mm
 Dimensions of the packed product (HxWxD) : 130 x 753 x 610 mm
 Net weight : 10.4 kg
 Gross weight : 11.6 kg
 Residual heat indicator : Separate
 Location of control panel : Hob front
 Basic surface material : Ceramic
 Color of surface : Black
 Approval certificates : AENOR, CE, Morocco
 Length electrical supply cord : 110 cm
 Sealed Burners : No
 heating with booster : All
 Power of heating element (kW) : 1.8 kW
 Power of 3rd heating element (kW) : 1.8 kW
 Power of 5th heating element (kW) : 1.4 kW
 Power of heating element (kW in boost) : [3.1] kW
 Power of 3rd heating element (kW in boost) : [3.1] kW
 Power of 5th heating element (kW in boost) : [2.2] kW
 Connection Rating : 4600 W
 Voltage : 220-240 V
 Frequency : 50; 60 Hz
 Main colour of product : Black
 Energy input : Electric
 Approval certificates : AENOR, CE, Morocco
 Plug type : no plug
 Appliance Dimensions (h x w x d) (in) : + x x
 Dimensions of the packed product : 5.11 x 24.01 x 29.64
 Net weight : 23.000 lbs
 Gross weight : 26.000 lbs
 Total number of positions that can be used at the same time : 4
 Length electrical supply cord : 110 cm
 Required niche size for installation (HxWxD) : 51 x 560-560 x 490-500 mm
 Dimensions : 51 x 592 x 522 mm
 Dimensions of the packed product (HxWxD) : 130 x 753 x 610 mm
 Net weight : 10.4 kg
 Gross weight : 11.6 kg



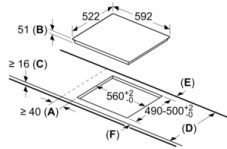


**Series 4, induction hob, 60 cm, Black
PUE611BB5E**

**The induction hob: cook fast, clean and
safely while using very little energy.**

Series 4, induction hob, 60 cm, Black PUE611BB5E

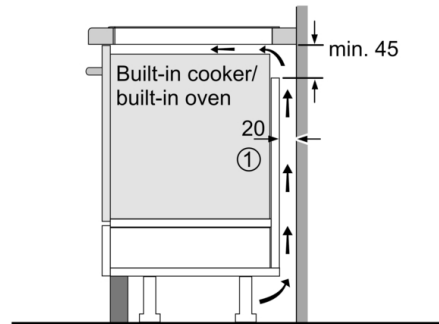
measurements in mm



- A: Minimum distance from the hob cut-out to the wall.
- B: Recessed depth
- C: The clearance between the surface of the worktop and the top of the front of the oven must be 30 mm. See space requirements for the oven.

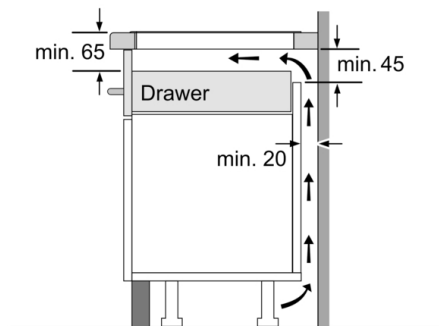
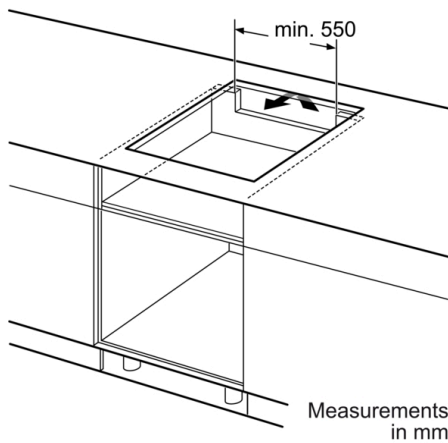
The worktop into which the hob is installed must withstand loads of approx. 60 kg; suitable substructures must be used if required.

D	E	F
585-600	50	≥ 35
> 600	≥ 50	≥ 50



①
Ventilation gap must
be present

All measurements in mm



Measurements in mm