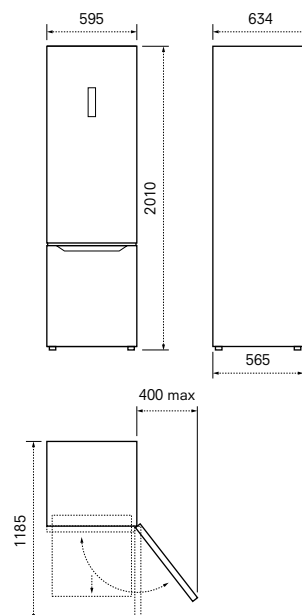


MKRF 361C ED NF E XS

Combined freestanding fridge



Highlighted features



Energy class E



TOTAL NO FROST cooling system



Internal LED lights



Digital display

General features

- 326 L total net capacity
- Super cooling function
- Super freezing function
- Digital control system with display
- Flush 90° door opening

Fridge features

- 250 L net fridge capacity
- 6 door trays
- 4 glass shelves and 2 fruit and vegetable drawers
- 0° drawer
- Complete 0° drawer extraction with 90° flush door

Freezer features

- 76 L net freezer capacity
- 3 drawers
- Complete drawer extraction with 90° flush door

Technical specifications

- Energy class E
- Climate class T/ST/N

Product dimensions (LxDxH)

- 595x634x2010 mm

MKRF 361C ED NF E XS

Stainless steel design

