

Serie | 6, built-in freezer, 177.2 x 55.8 cm
GIN81AEF0



The NoFrost freezer with electronic temperature control: set the target temperature precisely and easily.

- **VarioZone:** more flexibility due to variable-use glass shelves and drawers in the freezer compartment.
- **Automatic super freezing:** optimal for freezing smaller food load faster whilst protecting your frozen items from defrosting, thanks to the detection of temperature increase and the automatic decrease of temperature
- **NoFrost:** never defrost again, thanks to perfect protection from ice formation - that saves time and effort.
- **BigBox frozen food drawer:** for stacking storage containers or for large frozen food items.

Technical Data

Energy Efficiency Class (Regulation (EU) 2017/1369):	F
Average annual energy consumption in kilowatt hour per year (kWh/a) (EU) 2017/1369:	294
Sum of volume of frozen compartments (EU 2017/1369):	212
Airborne acoustical noise emissions (EU 2017/1369):	36
Airborne acoustical noise emission class (EU 2017/1369):	C
Product category:	Upright freezer
Built-in / Free-standing:	Built-in
Frost free system:	Fridge and freezer
Climate class:	SN-T
Door panel options:	Not possible
Width of the appliance:	558
Depth of the product:	545
Dimensions of the packed product (HxWxD) (mm):	1840 x 640 x 620
Warning signal / malfunction:	visual and audible
Cover door installation system:	Fixed-mounted
Number of drawers/baskets (Stck):	5
Number of freezing flaps (Stck):	2
Lockable door:	No
Thermometer freeze section:	Digital
Light:	No
Length electrical supply cord (cm):	230
Door hinge:	Left reversible
Net weight (kg):	65.116
Gross weight (kg):	70.3
Multi-Flow Air Tower:	No
Number of compressors:	1
Number of independent cooling systems:	1
Economy setting:	No
Fast freezing switch:	Yes
Door bin adjustability - Freezer:	No
Tilt-out door bins in freezer:	No
Number of shelves - Freezer:	0
Door bin adjustability - Freezer:	No
Shelf Material - Freezer:	Safety glass
Reversible Door Hinge:	Yes
Connection Rating (W):	120
Current (A):	10
Frequency (Hz):	50
Approval certificates:	CE, Morocco, VDE
Main colour of product:	N/A
Door panel options:	Not possible
Installation typology:	Full-integrated
Noise level (dB):	36
Energy Star Qualified:	No
Approval certificates:	CE, Morocco, VDE
Plug type:	Gardy plug w/ earthing
Required cutout/niche size for installation (in):	x x
Dimensions of the packed product (in):	72.44 x 24.40 x 25.19
Net weight (lbs):	144.000
Gross weight (lbs):	155.000

Included accessories

1 x ice cube tray

Serie | 6, built-in freezer, 177.2 x 55.8 cm GIN81AEF0

The NoFrost freezer with electronic temperature control: set the target temperature precisely and easily.

Performance and consumption

Convenience & Safety

- NoFrost - never again defrosting!
- Flat hinge
- 7 segment electronic control
- 1 compressor/1 cold circuit
- Super Freezing: Manual/automatic activation
- FreshSense - constant temperature by intelligent sensor technology
- Acoustic Warning System, Warning System by temperature increase

Freezer Section

- 5 transparent freezer drawers, incl. 2 x big box

Technical Information

- Door left hinged, reversible
- Connected load: 120 W
- Nominal voltage: 220 - 240 V

Dimensions

- Niche Dimension (H x W x D): 177.5 cm x 56.0 cm x 55.0 cm
- Dimensions (H x W x D): 177.2 cm x 55.8 cm x 54.5 cm

Accessories

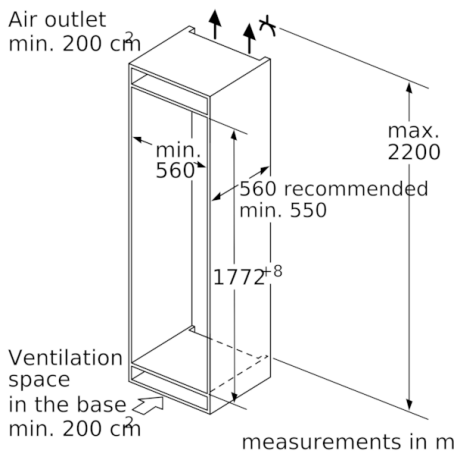
- ice cube tray

Country Specific Options

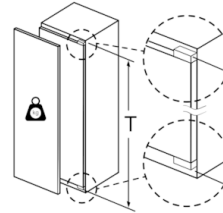
- Based on the results of the standard 24-hour test. Actual consumption depends on usage/position of the appliance.

General Information

Serie | 6, built-in freezer, 177.2 x 55.8 cm GIN81AEF0

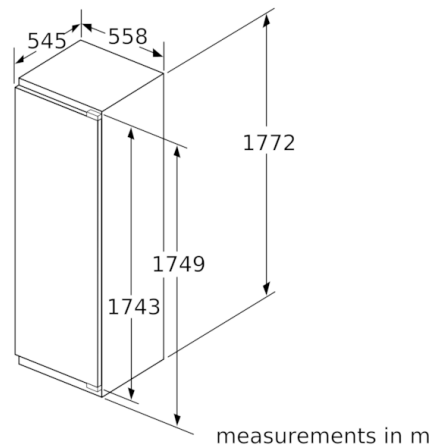
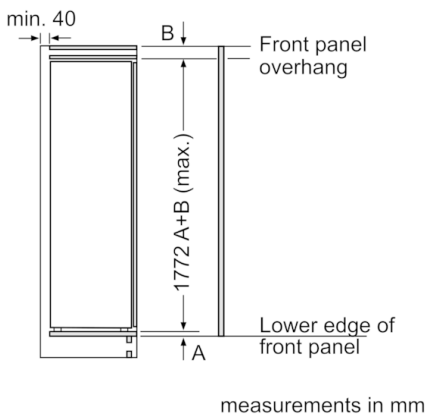


Maximal permissible weight of the unit fronts

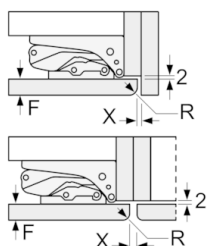


Fitted kitchen unit doors that exceed the permissible weight may cause damage and result in functional impairment of the hinges.

T: Includes height of appliance door	undamped hinge, Door in kg:	damped hinge, Door in kg:
Hinges in mm: 1500-1750	22	22



measurements in mm
Recommended gap dimensions for flat hinges



F	R	X
16-19	0-3	2.5
20	0-1	3
	2-3	2.5
21	0-1	3
	2-3	2.5
22	0	4
	1	3.5
	2-3	3

The gap dimensions recommended in the table must be adhered to in order to ensure that appliance doors do not collide with anything when they are opened, and to avoid causing damage to kitchen units.