

Serie | 8, Built-in compact oven with microwave function, 60 x 45 cm, Black CMG633BB1



Included accessories

1 x combination grid
1 x universal pan

The compact oven with microwave function: enables you to achieve perfect baking and roasting results very quickly.

- **AutoPilot 14:** every dish is a perfect success thanks to 14 pre-set automatic programmes.
- **TFT-touchdisplay:** easy-to-use thanks to the control ring with clear text and symbols.

Technical Data

Type of micro-wave oven :	MW-Combi
Type of control :	Electronic
Color / Material Front :	Black
Cavity dimensions (mm) :	237.0 x 480 x 392.0
Length electrical supply cord (cm) :	150
Net weight (kg) :	35.327
Gross weight (kg) :	37.6
Approval certificates :	CE, VDE
Maximum micro-wave power (W) :	900
Number of Power Levels :	5
Turntable :	No
Cavity material :	Enamelled steel
Door opening :	Handle
Clock :	Yes
Included accessories :	1 x combination grid, 1 x universal pan
Main colour of product :	Black
Height of the product (mm) :	455
Width of the appliance :	594
Depth of the product :	548
Maximum micro-wave power (W) :	900
Connection Rating (W) :	3600
Current (A) :	16
Voltage (V) :	220-240
Frequency (Hz) :	60; 50
Plug type :	Gardy plug w/ earthing
Color / Material Front :	Black
Alternative colors available :	CMG633BS1, CMG633BW1
Approval certificates :	CE, VDE
Appliance Dimensions (h x w x d) (in) :	x x
Dimensions of the packed product (in) :	21.25 x 25.59 x 26.77
Net weight (lbs) :	78.000
Gross weight (lbs) :	83.000



Serie | 8, Built-in compact oven with microwave function, 60 x 45 cm, Black CMG633BB1

The compact oven with microwave function: enables you to achieve perfect baking and roasting results very quickly.

Type of oven / heating system:

- Compact oven with microwave with 6 heating methods: 4D hotair, Hotair Eco., Hot air grilling, Full width grill, Half width grill, Preheating
- Additional heating methods with microwave: microwave, combi microwave constant
- Intelligent inverter technology: maximum output power will be regulated to 600 W when used in longer operation
- Max. Power: 900 W; 5 Microwave power settings (90 W, 180 W, 360 W, 600 W, max) with Inverter (MW)
- Temperature range 30 °C - 275 °C
- Cavity volume: 45 l

Hook-in racks / rails

- Number of shelf levels: 3 PC

Design:

- Rotary swivel

Cleaning:

Comfort:

- 2,5"-TFT-color and text display with touch-control buttons
- Electronic clock
- Temperature proposal
Actual temperature display
Heating-up control
- AutoPilot 14
- Oven door with SoftOpen and SoftClose, Drop down door
- Bar handle
- Supporting systems: Programs
- Rapid heating-up
- LED light, Switch for oven illumination
- Integral cooling fan

Accessory:

- universal pan, combination grid

Environment and Safety:

- low door temperature
- Mechanical safety locking device
Child lock
Automatic switch off
Residual heat indicator
Start-/Stop button
Door contact switch

Technical Information

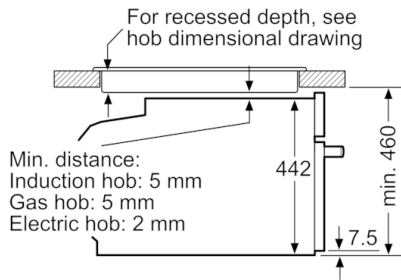
- Length of mains cable: 150 cm
- Nominal voltage: 220 - 240 V
- Total connected load electric: 3.6 KW

Dimensions:

- Appliance dimension (hxwx): 455 mm x 594 mm x 548 mm
- Niche dimension (hxwx): 450 mm - 455 mm x 560 mm - 568 mm x 550 mm
- "Please reference the built-in dimensions provided in the installation drawing"
- We recommend you to choose complementary products within Series 8, in order to assure an optimal design combination of your Built-In appliances.

Serie | 8, Built-in compact oven with microwave function, 60 x 45 cm, Black CMG633BB1

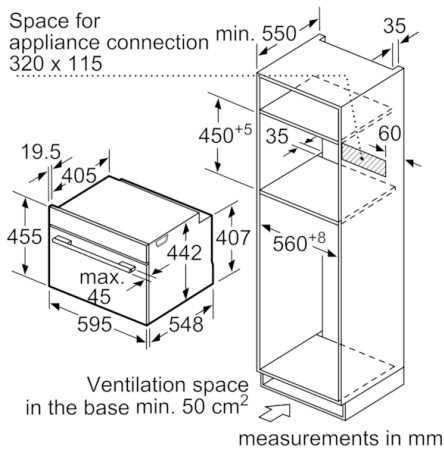
Installation with a hob.



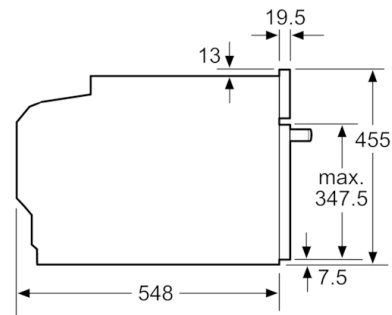
measurements in mm

If the compact appliance will be installed underneath a hob, the following worktop thicknesses (including substructure if necessary) must be taken into account.

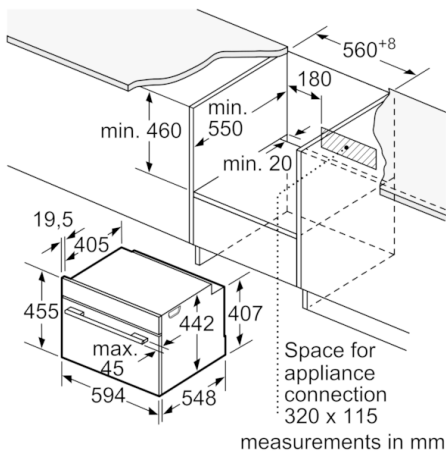
Hob type	min. worktop thickness	
	fitted	flush
Induction hob	42 mm	43 mm
Full surface Induction hob	52 mm	53 mm
Gas hob	32 mm	43 mm
Electric hob	32 mm	35 mm



measurements in mm



measurements in mm



measurements in mm