

# LYDOS ECO NEW



### 1. ADVANCED PERFORMANCE

- / WaterPlus technology\*: up to 16%\*\* more hot water available
- / ECO EVO function powered by CoreTECH: up to 14% energy saving
- / Compliant with top ESWH regulations

### ENERGY CLASS

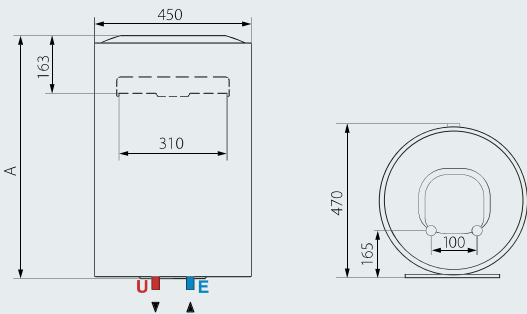


### 2. FULL COMFORT

- / Manual and precise temperature setting
- / Shower ready icon showing first shower availability
- / T-MAX function to face unexpected hot water needs
- / Absolute safety system preserving the good functioning of the Product

### 3. EXCLUSIVE DESIGN

- / 100% made and designed in Italy
- / High-Tech user-friendly frontal interface



### 1,8 kW - TECHNICAL DATA

		LYDOS ECO 50 V 1,8K EU	LYDOS ECO 80 V 1,8K EU	LYDOS ECO 100 V 1,8K EU
Capacity	L	50	80	100
Installation	V	V	V	V
Power	KW	1,8	1,8	1,8
Voltage	V	230	230	230
Heating time (T=45 degree celsius)	h,min	1,27	2,11	2,46
Heat dispersion at 65 degree celsius	KWh/24h	0,99	1,35	1,56
Max working pressure	bar	8	8	8
Max working temperature	°C	80	80	80
Weight	kg	16	20,5	24
IP Class	IP	IPX3	IPX3	IPX3
<b>DIMENSIONS</b>				
A	mm	528	733	885
<b>CODE</b>				
		3201857	3201858	3201859
With Plug and Cable		3201885	3201887	3201889
Erp class		B	B	B
Tapping profile		M	M	M

### 2 kW - TECHNICAL DATA

		LYDOS ECO 50 V 2K EU	LYDOS ECO 80 V 2K EU	LYDOS ECO 100 V 2K EU
Capacity	L	50	80	100
Installation	V	V	V	V
Power	KW	2	2	2
Voltage	V	230	230	230
Heating time (T=45 degree celsius)	h,min	1,18	1,58	2,29
Heat dispersion at 65 degree celsius	KWh/24h	0,99	1,35	1,56
Max working pressure	bar	8	8	8
Max working temperature	°C	80	80	80
Weight	kg	16	20,5	24
IP Class	IP	IPX3	IPX3	IPX3
<b>DIMENSIONS</b>				
A	mm	528	733	885
<b>CODE</b>				
		3201860	3201861	3201862
Erp class		B	B	B
Tapping profile		M	M	M

### LEGEND

- E Cold water inlet G 1/2"
- U Hot water outlet G 1/2"

The capacity indicated in this catalogue identifies the product category.

The effective capacity of the product is given in the relevant technical documentation provided with the product.

\* Patented in Spain, patent pending in IT, FR, TK, RU, CN, VN, UAE

\*\* Maximum estimated saving, depending on models. Comparison made using V40 test results at maximum operating temperature between current ATG products and new ATG products equipped with WaterPlus Technology.